



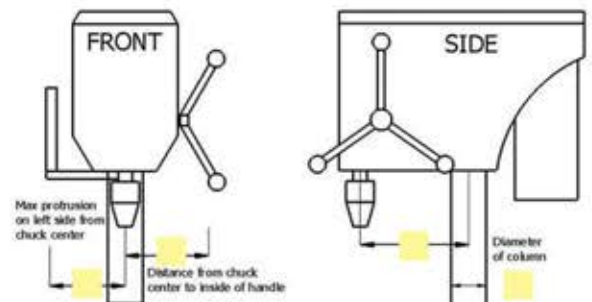
Machine & Process Safety Assessment (MPSA) Group is a division of Airline Hydraulics Corporation, an ISO 9001:2015 certified distributor of fluid power and automation products and engineered systems. MPSA has the in-house capability to help customers ascertain the safety of their machinery, determine necessary corrections, custom-design, manufacture and install the required solution, and validate the results. Our turnkey machine safeguarding systems help reduce your liability and bring you into compliance with important safety standards. Our machine tool guarding solutions include drill press guards, lathe chuck covers, lathe guards, milling machine guards, and more.

## Drill Press Guards



- ▶ Guard mounts to the post/column of drill press.
- ▶ Two adjustable arms with easy release locks position the lexan shield.
- ▶ Guard swings to the left 180° to open.
- ▶ When the guard is open, the optional coded magnet safety interlock switch interrupts power to the machine, disabling it.
- ▶ Replaceable lexan screen.
- ▶ Powder coated safety orange finish.

Please fill in blank dimensions indicated below to allow us to configure your guard:



Safety Switch:  Yes  No

## Milling Machine Guards



- ▶ Two mounting options:
  - One mounts to the quill speed plate on Bridgeport Series I + II Mills.
  - The other available option is a free-standing aluminum extrusion post. The latter allows for more inward and outward adjustment and guard stays horizontal when tilting head. This option will work better if head is usually tilted.
- ▶ Two adjustable arms with easy release locks position the lexan shield.
- ▶ Guard swings to the left 180° to allow easy tool changing.
- ▶ When guard is opened, the optional coded magnet safety interlock switch instantly cuts power and an optional air actuated cylinder applies the mill spindle brake to stop the rotating spindle.
- ▶ Replaceable Lexan viewing panel available with sides or with no sides and turned in lip. The latter works better if indexer is used frequently on table.
- ▶ Custom mounting options available for other types of milling and jig bore machines.
- ▶ Powder coated safety orange finish.

See other side for Lathe Guards and Chuck Covers

# Lathe Guards



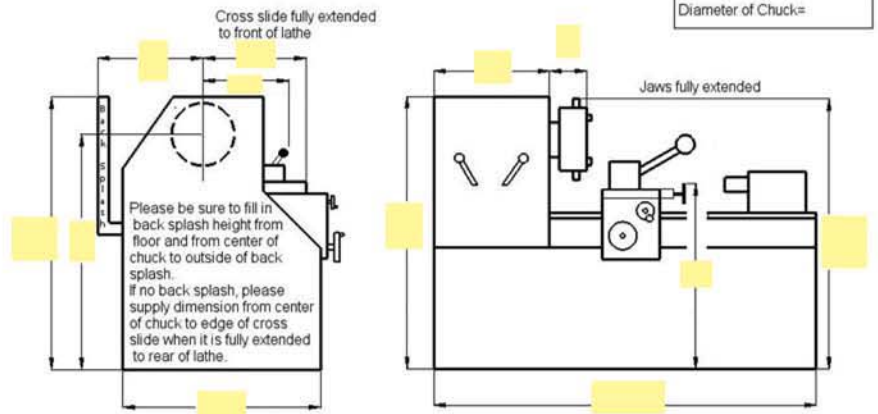
- ▶ New design uses linear rails and ball bearing rollers to allow the guard to easily slide to the left over the gear case when it comes time to change tooling or part.
- ▶ Mounts to either the back splash or on free-standing 40x80mm aluminum frame which can be anchored to the floor.
- ▶ Rigid construction - frame is 40mm (1 9/16") aluminum industrial extrusion.
- ▶ Large lexan panels let in ample light and do not obstruct view of part.
- ▶ Durable Safety Orange or Yellow powder coat.



## New gear case mounted sliding guard:

- ▶ Easily mounts to the gear case of machine with four longer bolts.
- ▶ Guard travels on same linear rails with ball bearing rollers, providing smooth motion.
- ▶ All sliding lathe guards are available with or without interlocking switch.

Please fill in blank dimensions indicated below to allow us to configure your guard:

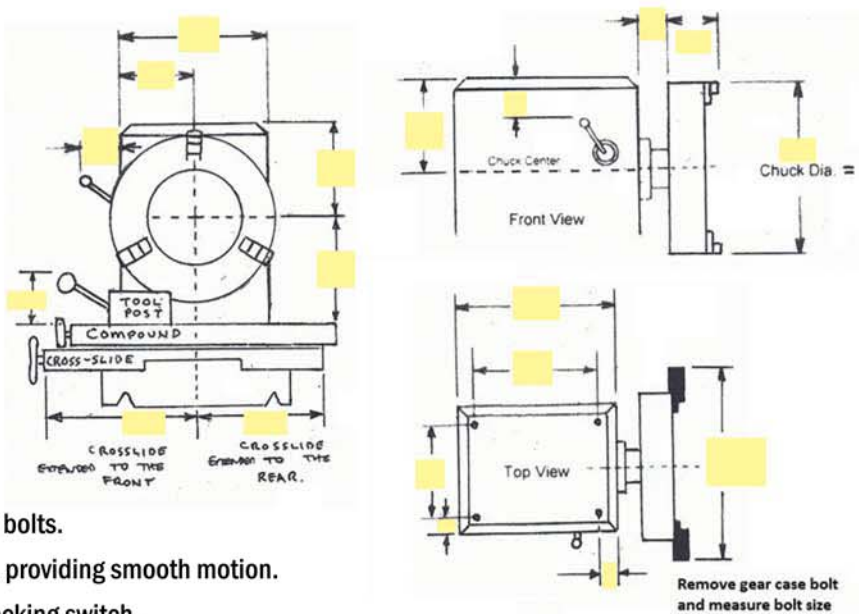


Please place a check beside desired optional hardware when ordering.

Chuck Cover	Yes	No
Chuck Cover with safety switch		
Chuck Cover no switch		

Lathe Guard Style	Yes	No
Sliding Rear Mount		
Sliding Gear Case Mount		
Basic Hinged Mount		
Bi-fold Carriage Mount *requires chuck cover		
Safety Switch	Locking	non-locking

Pre-assembled Electrical Control Box	
Option 1	
Option 2	
Option 3	
Machine Voltage	
Volts=	
Phase	1 ph    3 ph



# Lathe Chuck Covers



## Adjustable chuck cover (shown):

- ▶ 18" min. to 24" max. length x 7 1/2" wide.
- ▶ Utilizes pneumatic cylinder for support.
- ▶ Powder coated safety orange finish (Safety Yellow available special order).

## Non-adjustable chuck cover:

- ▶ Available in two sizes: 5" wide x 16" long or 12" wide x 25" long